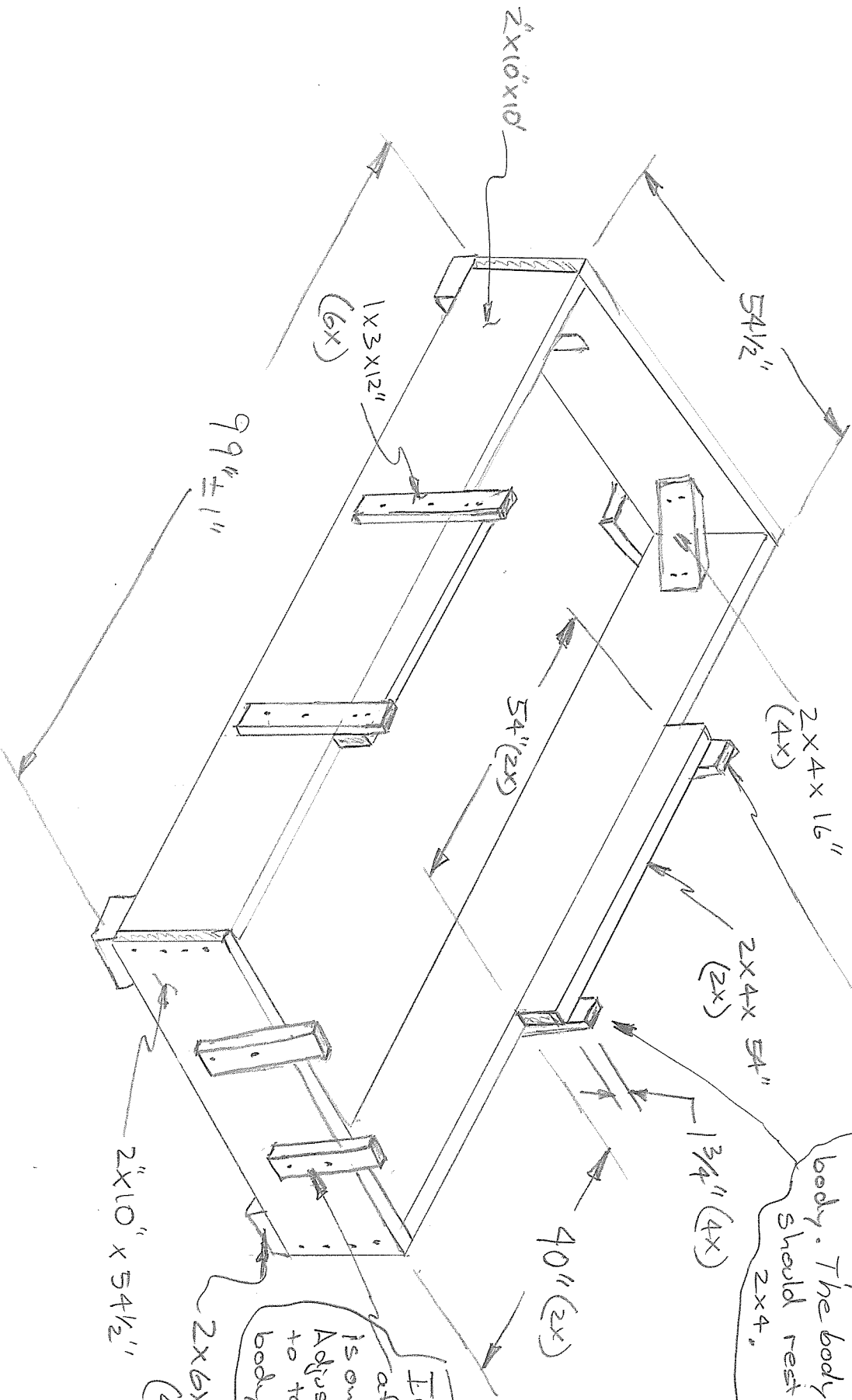


Mid Year Body Dolly

Design by Rob McPherson

Assy with appropriate length dry wall screws



Note: The ends of the 1x3 should touch the body mounts on the body. The body sill should rest on the 2x4.

Install after body is on dolly. Adjust height to touch front body mounts.

2x6x6" (4x)
2x10" x 54 1/2"